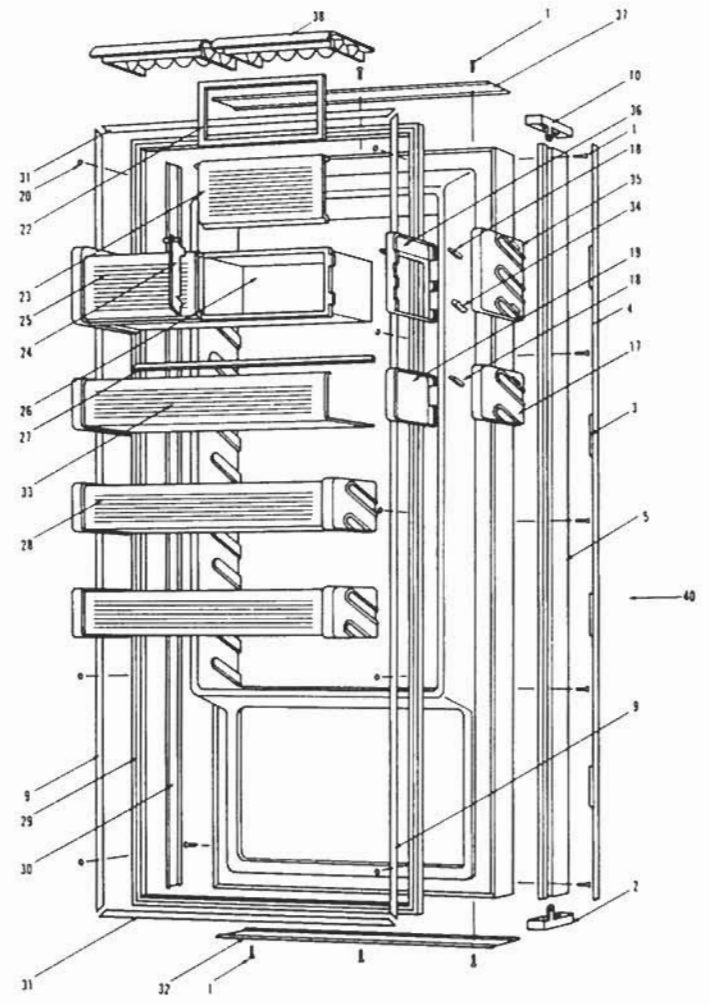
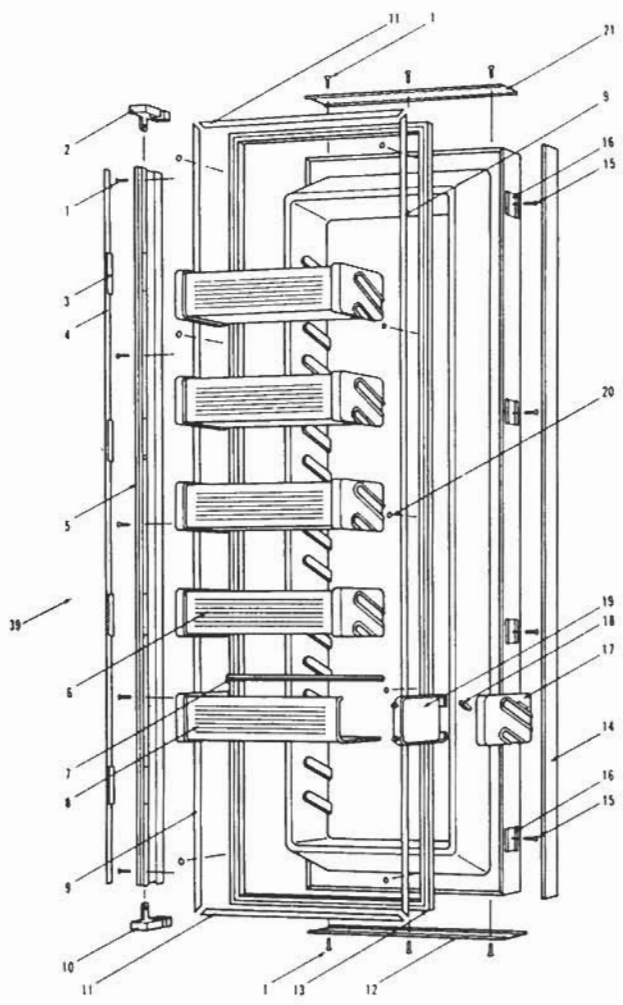


542 DOOR VIEW

Ref.	Part No.	Description	Ref.	Part No.	Description
1	6200720	Screw, #8-18 x 1/2 PH Truss HD	21	2225416	Door Trim, Freezer Top
2	4200490	Standard Handle End Cap Replacement Components	22	3211310	Dairy Compartment Seal
	4200700	Extended Handle End Cap Replacement Components	23	3515910	Dairy Door
3	3450450	Molding Magnet - 3"	24	3421060	Dairy Compartment Center Divider
4	4130970	Handle Molding Assembly	25	4330390	Dairy Compartment Assembly
5	4130910	Door Handle Assembly	26	3601230	Dairy Compartment
	EH561	Extended Handle Assembly Set	27	3510940	Door Shelf Support, Refrigerator
6	4330440	Door Shelf Assembly, Freezer	28	4330380	Door Shelf Assembly, Refrigerator, 17"
7	3511200	Door Shelf Support, Freezer	29	3211660	Door Gasket, Refrigerator
8	3601800	Door Shelf Tray, Freezer	30	2225201	Door Trim, Side; Ref RS/Fre LS
9	3420260	Gasket Retainer, 66.875"	31	3421620	Gasket Retainer, Top & Bot Ref, 23.125"
10	4200490	Standard Handle End Cap Replacement Components	32	2225419	Door Trim, Refrigerator Bottom
	4200700	Extended Handle End Cap Replacement Components	33	3601240	Door Shelf Tray, Refrigerator
11	3421610	Gasket Retainer, Top & Bot Fre, 13.813"	34	3550490	Dairy Compartment Retainer
12	2225417	Door Trim, Freezer Bottom	35	3600851	Dairy Compartment Outer End Cap; RS
13	3211670	Door Gasket, Freezer		3600852	Dairy Compartment Outer End Cap; LS
14	2225201	Door Trim, Side; Ref RS/Fre LS	36	3600891	Dairy Compartment Inner End Cap RS
15	6180040	Pop Rivet, 3/16x1/8 Grip		3600892	Dairy Compartment Inner End Cap LS
16	3450460	Door Trim Clip	37	2225418	Door Trim, Refrigerator Top
17	3600751	Door Shelf Outer End Cap RS	38	3411490	Egg Tray
	3600752	Door Shelf Outer End Cap LS	39	4131930	Door Assembly, Freezer
18	3550440	Door Shelf Retainer	40	4131920	Door Assembly, Refrigerator
19	3600761	Door Shelf Inner End Cap RS	41	4200940	Switch Depressor
	3600762	Door Shelf Inner End Cap LS			
20	6200410	Screw, #8 x 1/2" Slot Head Hex			

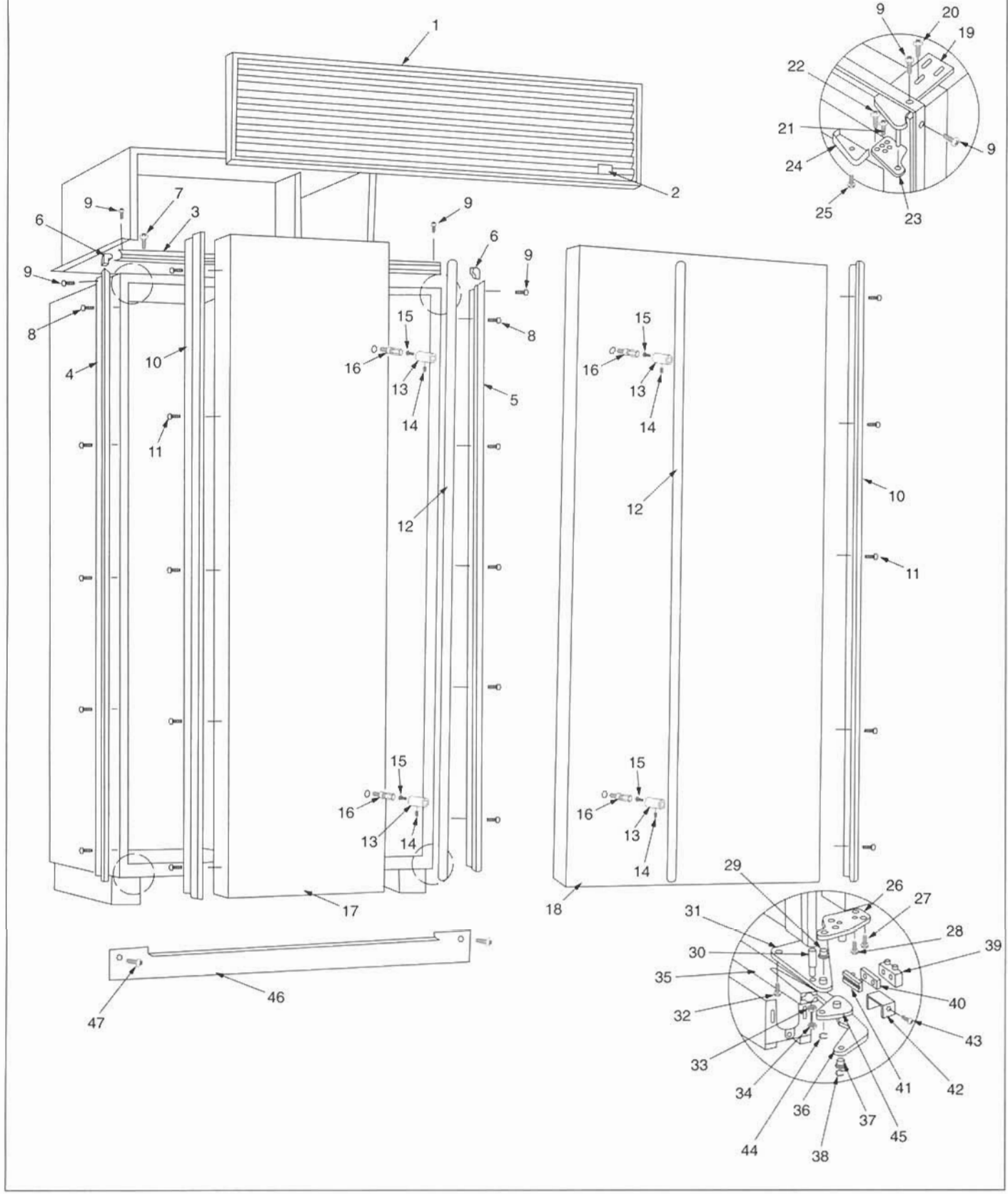
542 DOOR VIEW



542 STAINLESS STEEL EXTERNAL COSMETIC/DOOR VIEW

Ref.	Part No.	Description	Ref.	Part No.	Description
1	SS4211	Grille assembly, Stainless Steel - 42x11	25	6200720	Screw, #8-18 x 1/2 PH Truss HD
2	3580200	Name Plate	26	4151241	Door Hinge, Bot; RH
3	2229620	Main Frame, Top	27	6110540	Bolt, #10-24 x 1/2" Flat Socket HD
4	4120590	Main Frame Assembly, Left Side	28	6200390	Screw, #6 x 3/8" T25 Flat Head PH
5	4120580	Main Frame Assembly, Right Side	29	3421270	Hinge Bearing, 3/8" x 5/8"
6	2210701	Main Frame Angle	30	3550190	Bottom Hinge Stud
7	6200010	Screw, #10-12 x 3/4" Pan HD	31	4151281	Cabinet Hinge Assembly, Lower; RH
8	6200210	Screw, #8-32 x 1/2" Flat Head	32	6110070	Bolt, 1/4-20 x 3/4" Spinlock Zinc
9	6200070	Screw, #4-24 x 3/8" Flat HD	33	6240070	Lock Washer, 1/4" SS
10	3511130	Door Trim, Hinge Side - Square Corner	34	6150200	Nut, 1/4-20 Hex
11	6200720	Screw, #8-18 x 1/2 PH Truss HD	35	3421300	Door Closer Housing
12	3511160	SS Door Handle, 1"Dia x 63-7/8"		3421290	Door Closer Linkage
	4132190	Door Handle Assy, 1"Dia x 63-7/8"		3450530	Door Closer Spring (Standard)
13	3511320	Handle Stand-off 1"D		3450710	Low Pull Spring
14	6110730	Set Screw #10-32x1/4 SS, Cone-3/32"		0165980	Door Closer Spring Retainer
15	6110540	Bolt, #10-24 x 1/2" Flat Socket HD	36	0183111	Door Closer Arm - RH
16	3511330	Handle Mounting Stud		4200111	Door Closer Assembly, RH
17	4132140	Door Assembly, Freezer, SS		0183112	Door Closer Arm - LH
18	4132130	Door Assembly, Refrigerator, SS		4201112	Door Closer Assembly, LH
19	4151271	Cabinet Hinge Assembly, Upper; RH	37	3421260	Door Closer Bearing
	4151272	Cabinet Hinge Assembly, Upper; LH	38	3450550	E-Ring / Klipring, 5/16"
20	6110070	Bolt, 1/4-20 x 3/4" Spinlock Zinc	39	3450570	Door Closer Cushion
21	6200390	Screw, #6 x 3/8" T25 Flat Head PH	40	165970	Door Closer Guide Support
22	6110540	Bolt, #10-24 x 1/2" Flat Socket HD	41	3421310	Door Closer Guide
23	4151471	Door Hinge Assy, Top; RH	42	0166360	Door Closer Cushion Retainer
	4151472	Door Hinge Assy, Top; LH	43	6180010	Pop Rivet, 1/8"
24	3541017	Top Cabinet Hinge Cover, RH	44	3450560	E-Ring, 7/16"
	3541018	Top Cabinet Hinge Cover, LH	45	DS90	Door Stop-90 Degree
				DS105	Door Stop-105 Degree
			46	0168210	Kickplate, Stainless Steel
			47	6200720	Screw, #8-18 x 1/2 PH Truss HD

542 STAINLESS STEEL EXTERNAL COSMETIC/DOOR VIEW



542 COSMETIC VIEW

Ref.	Part No.	Description	Ref.	Part No.	Description
1	LG4211	Louvered Grille, 42 x 1 1	97	6200730	Screw, #10-16 x 3/4" PH Flat HD UC
2	4280591	Unit Shroud Assembly	98	4180890	Basket Assembly, Fre
3	6200230	Screw, #8-18 x 1/2" Hex Head+C2	99	6200700	Screw, #6-20 x 5/8" PH Flat HD SS
4	2210701	Main Frame Angle	100	6220320	Screw Grommet
5	6201060	Screw, #8x1-1/4" PH FLAT TAP	101	3410971	Freezer Basket Retainer, RS
6	2811219	Breaker Strip, Fre Top	102	4181380	Crisper Drawer Assembly
7	3050020	Light Socket, 3/4 Double	103	4151730	Crisper Tray Assembly
8	3030040	Light Bulb, Long/Narrow; 40 Watt	104	3412460	Crisper Drawer
9	6200140	Screw, #8-15 x 3/8" Truss HD	105	3412480	Crisper Glass Front
10	0167060	Back Duct	106	3411052	Vent Slide
11	0233760	Freezer Duct/Evaporator Cover	107	3412470	Crisper Drawer Front
12	6200710	Screw, #8-18 x 3/8" Fillister HD	108	3411160	Ref Roll-Out Bskt Divider
13	2811205	Breaker Strip,Side; Fre/LS, Ref/RS	109	1302110	Rear Crisper Seal
14	6220350	Shelf Support	110	4151720	Crisper Glass Assembly
15	4180840	Ice Bucket Carriage Assembly	111	2301710	Front Crisper Seal
16	2808801	Ice Bucket Slide, RH	112	6200700	Screw, #6-20 x 5/8" PH Flat HD SS
	2808802	Ice Bucket Slide, LH	113	6220320	Screw Grommet
17	6200010	Screw, #10-12 x 3/4" Pan HD	114	3411002	Refrigerator Roll-Out Basket Retainer, LH
18	3030040	Light Bulb, Long/Narrow; 40 Watt	115	3411001	Refrigerator Roll-Out Basket Retainer, RH
19	3050010	Light Socket, 3/4 Single	116	4181370	Basket Assembly, Refrigerator Roll-out
20	6200090	Screw, #8-15 x 1-3/4" Truss HD	117	3500420	Refrigerator Roll-out Basket Glass Retainer
21	3500320	Lower Light diffuser	118	3601490	Refrigerator Roll-out Basket Front
22	6200730	Screw, #10-16 x 3/4" PH Flat HD UC	119	3412500	Shelf Assembly, Ref Roll-out Basket
23	3421160	Basket Slide Roller	120	4181360	Glass Shelf Assembly
	3421170	Freezer Basket Slide Roller, Wide	121	4181350	Light Diffuser, Refrigerator
24	3430080	Roller Bushing	122	0212050	Freezer Basket Retainer, LS
25	6200450	Screw, #8 x 1" Type AR Flat	123	3410972	E-Ring / Retaining Ring
26	4180971	Freezer Basket Slide Assy - Right	124	3450270	Refrigerator Cold Plate / Evaporator Cover
	4180972	Freezer Basket Slide Assy - Left	125	0200820	Main Frame Extrusion, LS
33	2811220	Breaker Strip, Fre Bottom	126	4120490	Control Panel, Refrig.
34	1811300	Breaker Strip, Mullion	127	3015020	Freezer Control Panel Frame
35	1811300	Breaker Strip, Mullion	128	3411090	Light Diffuser Retainer, Refrigerator
36	2811218	Breaker Strip, Ref Bottom	129	0212040	Light Diffuser Retainer, Freezer
38	3550460	White Cap plug	130	0233780	Refrigerator Roll-Out Basket - See 4181370
40	6200450	Screw, #8 x 1" Type AR Flat	131	NLA	Ice Bucket Assembly
41	3450520	Grille Hook	132	4181000	Refrigerator Shelf Glass - See 4181350
42	6200450	Screw, #8 x 1" Type AR Flat	133	NLA	Freezer Shelf Ladder - Right
43	6200010	Screw, #10-12 x 3/4" Pan HD	135	3601462	Freezer Shelf Ladder - Left
44	6240020	Star Washer, 3/16"	136	3012700	Control Panel, Freezer
45	4180931	Crisper Slide Assy, RS	137	0165760	Switch Enclosure
	4180932	Crisper Slide Assy, LS	138	4110353	Base Assy (w/rollers) - Right or Left
46	6200730	Screw, #10-16 x 3/4" PH Flat HD UC	139	6110580	Adjusting Screw
47	3421110	Crisper Roller; Narrow	140	6150670	J-Nut, #10-24
48	3430080	Roller Bushing	141	4110331	Base Rear Roller Assembly
53	3601521	Refrigerator Shelf Ladder - Right	142	3550560	Straight Pin, Base Assy - .312" x 2.88"
	3601522	Refrigerator Shelf Ladder - Left	143	3421240	Cabinet Roller (3 per side)
54	6200710	Screw, #8-18 x 3/8" Fillister HD	144	3450620	Canoe Clip
55	4120460	Main Frame Extrusion, RS	145	6200050	Screw, #10-12 x 1/2" Pan HD
56	2811205	Breaker Strip,Side; Fre/LS, Ref/RS	146	0167890	Solid Kickplate, Black
57	2811217	Breaker Strip, Ref Top	147	6220050	Screw Grommet, 1/2" x 5/8"
58	6200010	Screw, #10-12 x 3/4" Pan HD	148	6200010	Screw, #10-12 x 3/4" Pan HD
59	2225704	Top Main Frame	149	0167900	Kickplate Support
60	3450120	Grille Spring, 1/4" x 9-5/8"	150	4110353	Base Assy (w/rollers) - Right or Left
61	6200010	Screw, #10-12 x 3/4" Pan HD	151	3421270	Hinge Bearing, 3/8" x 5/8"
62	4280680	Compressor Shroud Assembly	152	4151221	Cabinet Hinge, Bottom; RH
63	6200770	Screw, #6-32 x 3/4" Pan HD		4151222	Cabinet Hinge, Bottom; LH
64	6150140	Spring Grip Nut, 1/8"	153	6110070	Bolt, 1/4-20 x 3/4" Spinlock Zinc
65	3580110	Nameplate	154	6240070	Lock Washer, 1/4" SS
66	6200060	Screw, #8-32 x 1/2" Pan HD	155	6150200	Nut, 1/4-20 Hex
67	6110540	Bolt, #10-24 x 1/2" Flat Socket HD	156	3450560	E-Ring, 7/16"
68	6200390	Screw, #6 x 3/8" T25 Flat Head PH	157	3450550	E-Ring / Klipping , 5/16"
69	3540340	Door Hinge, Top RH	158	3421260	Door Closer Bearing
	3540350	Door Hinge, Top LH	159	4201111	Door Closer Assembly, RH
70	3420070	Hinge Bearing		4201112	Door Closer Assembly, LH
71	6200070	Screw, #4-24 x 3/8" Flat HD	160	DS90	Door Stop-90 Degree
72	0182560	Cabinet Hinge, Top		DS105	Door Stop-105 Degree
73	6110070	Bolt, 1/4-20 x 3/4" Spinlock Zinc	161	4151241	Door Hinge, Bot; RH
75	3550190	Bottom Hinge Stud		4151242	Door Hinge, Bot; LH
84	6200390	Screw, #6 x 3/8" T25 Flat Head PH	163	3570050	Leveling Leg, Front
87	0212060	Light Diffuser, Freezer	164	3450570	Door Closer Cushion
88	3601450	Wire Shelf, Freezer	165	3421310	Door Closer Guide
89	3410830	Freezer Basket/IM Bucket Front	166	0165970	Door closer Guide Support
90	3411080	Ice Bucket	167	6200010	Screw, #10-12 x 3/4" Pan HD
91	3410830	Freezer Basket/IM Bucket Front	168	0212030	Ref Fan Guard
92	3600960	Basket Glass Retainer	169	4160750	Freezer Duct Grille Assembly
93	3500270	Freezer Basket Window	170	6110540	Bolt, #10-24 x 1/2" Flat Socket HD
94	NLA	Freezer Basket - See 4180890	171	0233850	Freezer Side Filler Strip, Right
95	3430080	Roller Bushing		0233860	Freezer Side Filler Strip, Left
96	3421100	Crisper Roller, Narrow	172	3450520	Grille Hook
	3421110	Crisper Roller			

542 SEALED SYSTEM VIEW

Ref.	Part No.	Description	Ref.	Part No.	Description
1	****	Start Relay, (Refrigerator/Freezer)	66	3060140	SPST Light Switch
2	****	Overload, (Refrigerator/Freezer)	67	3060130	SPST Fan/Icemaker Switch
3	3090010	Compressor Base Valve - fits on 5/16"OD tubing - NOTE: Also see 3090100, 3090210, 3090220	68	6120210	U-Clamp, 5/8"
4	NLA	Valve Cap -See 3090010; 3090100; 3090210; 3090220	69	6200010	Screw, #10-12 x 3/4" Pan HD
	6150220	Nut, 5/16-18 Hex Zinc	70	0166200	Solenoid Retainer
6	3150010	Rubber Grommet, Small, 5/8"	71	4151740	Freezer Evap Cover/Drain Trough Assy.
	3150170	Rubber Grommet, Large, 15/16"	73	3520110	Water Inlet Fitting Assembly
7	3050010	Light Socket, 3/4 Single	74	3520030	Icemaker Nylon Nut, 1/4"
8	6160070	Sleeve, 5/16 x 7/16 x 7/8"	75	3520050	Brass Insert, Solenoid
9	6240050	Flat Washer, 5/16"	76	4201450	Water Solenoid Valve
10	****	Compressor Cap, (Refrigerator/Freezer)	78	4190240	Drain Trough Assembly
11	****	Compressor Strap, (Refrigerator/Freezer)	79	6200140	Screw, #8-15 x 3/8" Truss HD
12	4251400	Heat Exchanger, Freezer	80	6200140	Screw, #8-15 x 3/8" Truss HD
13	4202250	Service Compressor, Freezer	81	3130420	Evaporator, Refrigerator
14	6110270	Bolt, #10-32 x 1/4" RD HD	82	3012560	Control Knob
15	6220190	Support, .275 x .750"	83	3012810	Control Indicator
16	4160750	Freezer Duct Grille Assembly	84	6200140	Screw, #8-15 x 3/8" Truss HD
17	6200140	Screw, #8-15 x 3/8" Truss HD	85	6200130	Screw, #8-18 x 3/4" Truss HD
18	3030040	Light Bulb, Long Narrow - 40 Watt	86	4160740	Fan Shroud Assembly, Ref
19	3050020	Light Socket, 3/4 Double	87	6220340	Screw Grommet / Stand-off
20	4200160	Freezer Fan Motor Replacement Components	88	3081180	Service Defrost Timer, 6Hr / 21Min
21	0232770	Fan Bracket, Fre.	89	6180010	Pop Rivet, 1/8"
22	3050060	Lamp Holder W/Leads	90	4201260	Control, Refrigerator
23	6150030	Nut, #10-24 Hex SS	91	6200140	Screw, #8-15 x 3/8" Truss HD
24	6110020	Bolt, #10-24 x 3/8" Truss HD	92	6150320	Nut-Pal, #8-32
25	3150060	Fan Blade; Freezer; 5 prop; 5-1/2"	93	6200090	Screw, #8-15 x 1-3/4" Truss HD
26	6200120	Screw, #10-12 x 1/2" Truss HD	94	6200140	Screw, #8-15 x 3/8" Truss HD
27	6200120	Screw, #10-12 x 1/2" Truss HD	95	6220340	Screw Grommet / Stand-off
28	0233740	Fan Shroud, Freezer	96	3030070	Light Bulb, 7W
29	3060130	SPST Fan/Icemaker Switch	97	3050070	Light Socket
30	0233030	Shelf Front, Freezer	98	3150210	Fan Blade, Ref Evap
31	6200140	Screw, #8-15 x 3/8" Truss HD	99	0211620	Refrigerator Fan Bracket
32	3012742	Control, Freezer	100	4200170	Refrigerator Fan Motor Replacement Components
33	0233050	Control Box	101	6200130	Screw, #8-18 x 3/4" Truss HD
34	6110050	Bolt, #8-32 x 3/8" Truss HD	102	3520120	Brass Insert, Fan Bracket
35	3012640	Control Dial, Fre	103	3220250	Grommet, 3/16" x 7/16" x 9/32"
36	6200140	Screw, #8-15 x 3/8" Truss HD	104	6200010	Screw, #10-12 x 3/4" Pan HD
37	0232740	Switch Box	105	3014230	Filter-Drier, High Side
38	6200120	Screw, #10-12 x 1/2" Truss HD	106	4321820	Power Cord
39	3130430	Evaporator Coil, Fre	107	3120280	Dual Condenser
40	3013540	Drain Tube Heater	108	0166970	Condenser Fan Shroud
41	0233780	Light Diffuser Retainer, Freezer	109	4251240	Heat Exchanger, Refrigerator
42	6200170	Screw, #10-16 x 1-1/2" Pan Head	110	4201880	Service Compressor, Refrigerator
43	4200520	Complete Icemaker Assembly	111	3220160	Grommet, 3/16" x 7/16" x 9/32"
	628366	Module & Motor Assembly	112	3520120	Brass Insert, Fan Bracket
44	3421630	Icemaker Control Arm	113	6200280	Screw, #8-18 x 1" Pan Head
45	6200140	Screw, #8-15 x 3/8" Truss HD	114	1801700	Fan Bracket, Condenser
46	1601400	Drain Tube, Wire - 1/2" x 72"	115	6200490	Screw, #8-32 x 3/8" Slotted Hex T25
47	2600617	Plastic Water Line	116	4200740	Condenser Fan Motor Replacement Components
48	6120050	Tube Clamp, Plastic, 5/8"	117	3150320	Fan Blade, Cond, 5 prop, 7"
49	6200140	Screw, #8-15 x 3/8" Truss HD	118	6150410	Nut, 1/4-20
50	6200440	Screw, #10-16 x 11/16" Type B Flat Head	119	3210340	Neoprene Silencer, 7/8"
51	3420670	Screw Spacer	121	6200120	Screw, #10-12 x 1/2" Truss HD
52	3420760	Drain Pan Holder	122	6110270	Bolt, #10-32 x 1/4" RD HD
53	0164940	Drain Pan, Plastic	123	4151040	Control Bracket Assembly
54	2600138	Drain Pan Heater Loop	124	3421070	Connecting Rod
55	6230370	Adhesive Back Foam Strip, 1 x 1/2 x 15'	125	6220220	Screw Grommet, 1/32 x 3/8" SQ
56	1601400	Drain Tube, Wire - 1/2" x 72"	126	4324110	Run Capacitor Wire Harness
57	4323820	Defrost Heater Assembly	127	****	Run Capacitor
58	3520050	Brass Insert, Solenoid	128	6150160	Nut, #8-32 Hex
59	3024110	Fill Tube Extension	130	6110050	Bolt, #8-32 x 3/8" Truss HD
60	6220470	Fill Tube Clamp	131	4200850	Light Terminator
61	3013820	Fill Tube Heater	132	6240020	Star Washer, 3/6"
62	1607700	Water Inlet Tube	134	3140200	Icemaker Shut-off Arm
63	6200230	Screw, #8-18 x 1/2" Hex Head	135	6200780	Screw, #10-24 x 1/2" PH Hex Washer
64	3011130	Freezer Accumulator	136	0166190	Solenoid Bracket
65	3082060	Defrost Terminator	138	6120280	Tube Clamp, Nylon, 3/16"
			139	6200060	Screw, #8-32 x 1/2" Pan HD

542 SEALED SYSTEM VIEW

